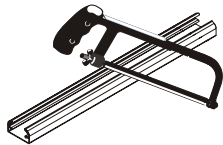


# INSTALLATION INSTRUCTIONS

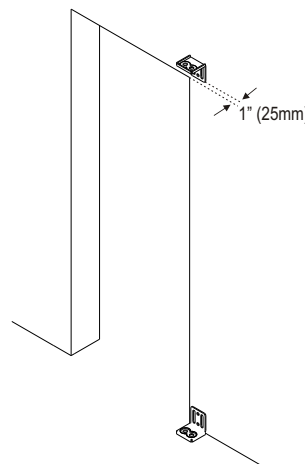
## 1. Trim Baseboard

Cut the baseboard 1-7/16" (37mm) from the door opening on the pivot side of the door. If necessary, remove the casing from around the opening to allow the door to be attached directly to the wall.



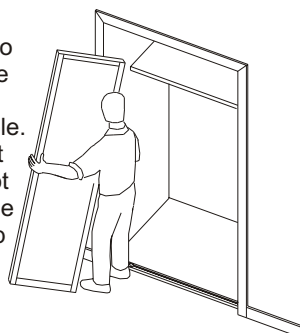
## 2. Install Top and Bottom Wall Brackets

On the pivot side of the opening, affix a pivot bracket at the bottom of the front face of the opening, flush with the corner, using the screws provided. Next, position the top bracket (inverted as shown), vertically plumb to the bottom bracket and 1" (25mm) above the top of the opening. Affix the bracket with the screws provided, one in the center of each slot. Do not fully tighten the screws, leave them slightly loose so the bracket height can be adjusted up or down.



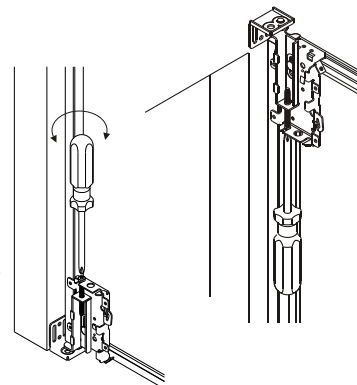
## 3. Install Door

First, ensure the bottom pivot connector is adjusted to its desired position and the top pivot connector is adjusted to its lowest position so that the bushing is as close to the connector bracket as possible. Next, install the bottom pivot bushing into the bottom pivot bracket hole farthest from the opening. Then locate the top pivot bushing below the top pivot bracket hole, farthest from the opening and adjust the top pivot connector screw until the bushing is seated fully into the pivot bracket.



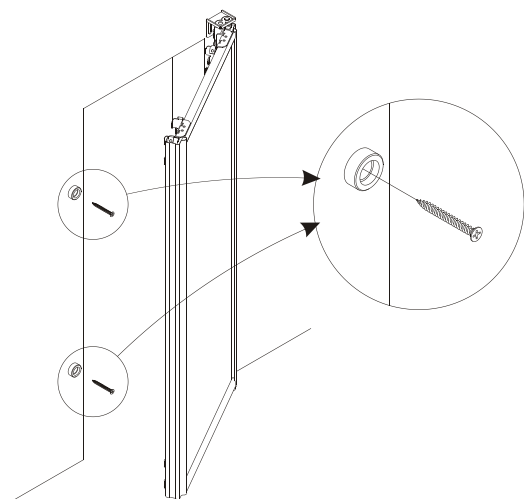
## 4. Adjust Door

To vertically adjust the door, you must alternately lower then raise the top and bottom pivot connectors respectively, in small increments to avoid the door falling out of the top pivot bracket. Once the desired door height has been achieved, it is also **very important** for safety reasons that the top bushing is seated fully into the top pivot bracket. Failure to do so could result in the door becoming dislodged during operation and falling.



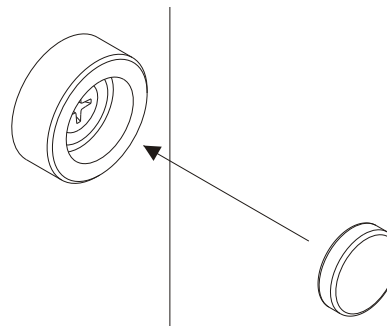
## 5. Attach Magnet Cup

Close the door and lightly mark the position on the wall, where the outside edge of the door contacts the wall, approx. 6-8" from the top and bottom of the door. Affix a magnet cup on the wall at each location with a 1 1/2" flat head screw, so that the cup contacts the back of the door stile and is hidden behind the door when it is closed.



## 6. Insert Earth Magnet

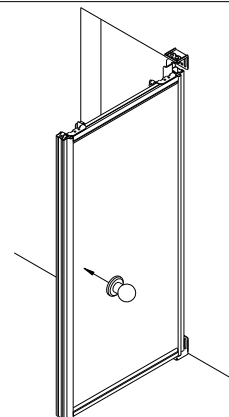
Insert a 1/2" dia. Earth magnet into each of the affixed magnet cups



## 7. Attach Pull

For mirror overlay doors, locate the pull at the desired height [approximately 40" (1016mm)] and clean the mirror at this location. Remove the adhesive backer on the pull and affix it to the door.

For wood panel overlay doors, locate the pull at the desired height [approximately 40" (1016mm)] and drive a 7/32" (5mm) hole in the wood panel. Then attach the pull with a #8 x 1" (25mm) screw.



# Cross Sectional Layout of Installed Doors

